

LTECH

DMX512 DECODER

LT-904

4
CHANNELS

8 bit / 16 bit
2 kinds of DMX interfaces
Short circuit / Over current protection



www.ltech-led.com

Product Introduction:

1. Designed with 4 channels output, and Max. 6A current per channel, up to 576W output power.
2. Easy operation with digital display and the touch buttons.
3. Support 2 kinds of DMX ports: 3-pin XLR, RJ45.
4. With RDM remote management protocol, the operations can be completed via the RDM master console, such as parameters browsing & setting, DMX address setting, equipment recognition, etc.
5. With short circuit protection and over current protection, as well as warning function when fault.
6. With fast self-testing function.
7. High/low PWM frequency for optional
8. 16bit (65536 levels) / 8bit (256 levels) grey level optional.



3-pin XLR



RJ45



RDM



Short circuit Protection



Over current Protection

FC CE RoHS

warranty 5 years

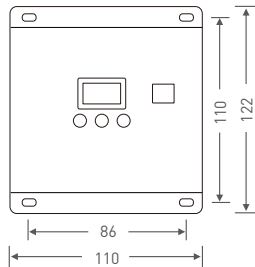


Technical Specs:

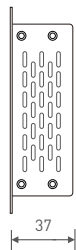
Model:	LT-904	Protection:	Short circuit / Over current
Input Signal:	DMX512/RDM	Working Temp.:	-30°C~65°C
DMX Interface:	3-pin XLR, RJ45	Dimensions:	L122×W110×H37mm
Input Voltage:	12-24Vdc	Package Size:	L127×W123×H41mm
Current Load:	6A×4CH Max. 24A	Weight (G.W.):	550g
Output Power:	[0~72W...144W]×4CH Max. 576W		
Grey Level:	8bit (256 levels) / 16bit (65536 levels)		

Product Size:

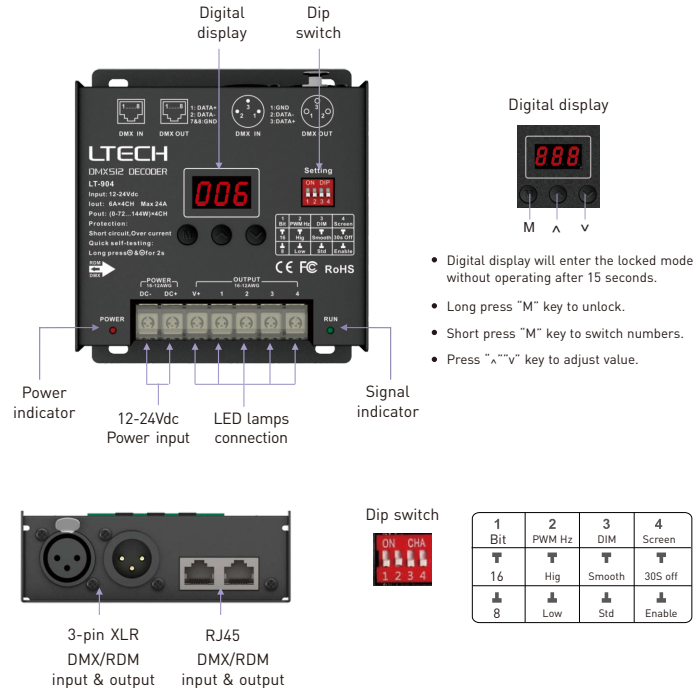
Unit: mm



2



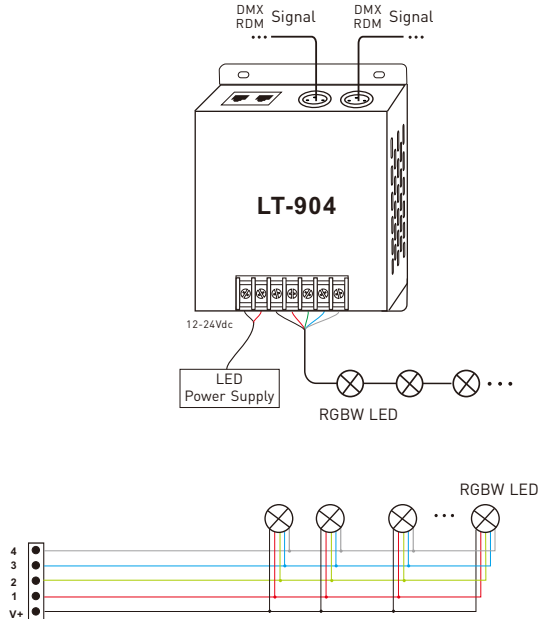
Main Component Description:



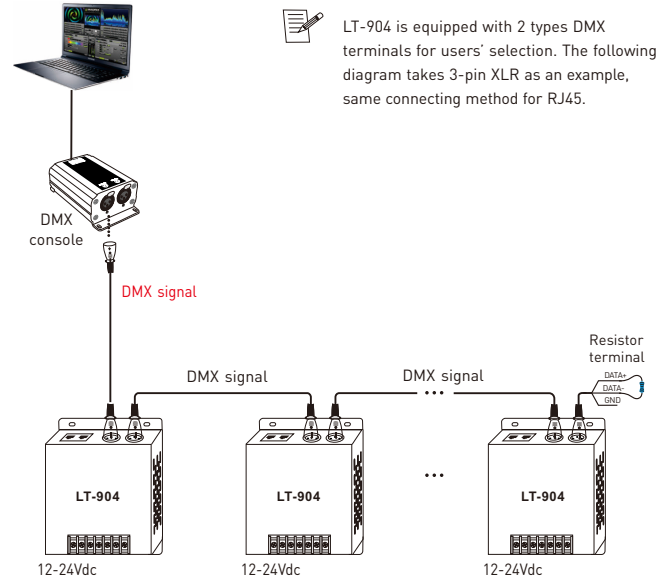
3

Wiring Diagram:

1 Connecting LED lights:



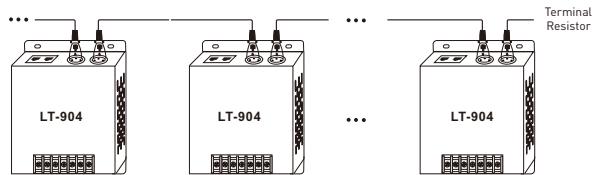
2. DMX console connection:



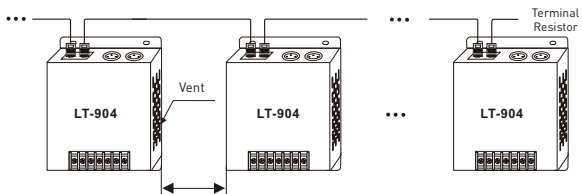
LT-904 is equipped with 2 types DMX terminals for users' selection. The following diagram takes 3-pin XLR as an example, same connecting method for RJ45.

- * An amplifier is needed if more than 32 decoders are connected or use overlong signal line, signal amplification should not be more than 5 times continuously.
- * If the recoil effect occurs because of longer signal line or bad line quality, please try to connect 0.25W 90-120Ω terminal resistor at the end of each line.

3. The connection diagram of 2 kinds of DMX/RDM terminals:



3-pin XLR Connected in Parallel



Installation distance > 20mm

RJ45 Connected in Parallel

These 2 terminals can be connected in a mixed way.

*** Installation Attention :** please reserve enough ventilation distance between decoders (>20mm), be sure not to block the vent, or will affect lifetime of decoder for poor heat dissipation.