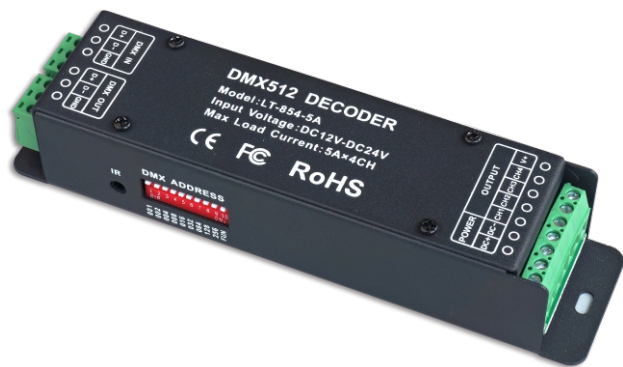


LT-854-5A DMX-PWM CV DECODER



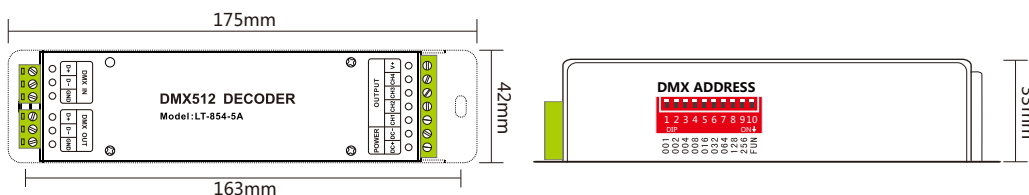
LT-854-5A DMX-PWM Decoder works to convert universal DMX512 digital signal to PWM signal, which controlled by DMX512 console, with 8bit gray scale output per channel. Realize 0-100% brightness and various changing effect. And can control single color, two color, RGB, RGBA, RGBW LED lights.

1. Product Parameter:

LT-854-5A

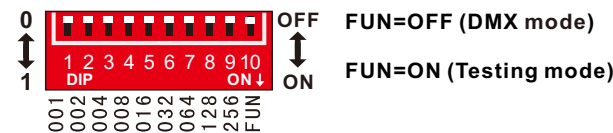
- | | | | |
|------------------------|---------------------|------------------------|-----------------------|
| • Input signal: | DMX512 | • Frame Rate: | MAX 850 Frame/seconds |
| • Power Supply Chosen: | CV LED power supply | • DMX512 Socket: | Green Terminal |
| • Input Voltage: | DC12V~DC24V | • Working Temperature: | -30°C~65°C |
| • Max Current Load: | 5A x4CH Max 20A | • Dimension: | L175×W42×H33mm |
| • Max Output Power: | 240W/480W(12V/24V) | • Package Size: | L178×W46×H40mm |
| • Output Gray Scale: | 256 Levels/CH | • Weight(G.W.): | 310g |

2. Configuration Diagram:



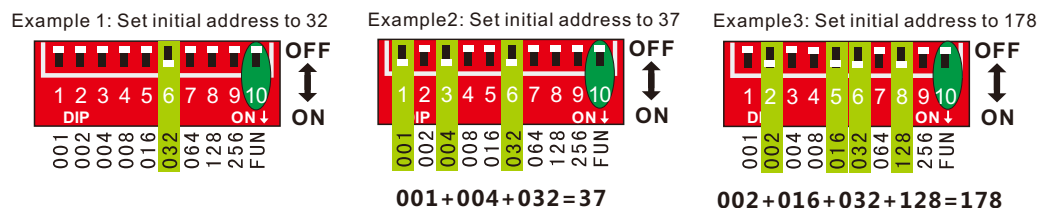
1

3. Operation Method:



* In the DMX mode, there is dmX signal input, the run light flashed fast, the flashed frequency depends on the frames of dmX master, if there is no dmX signal, the run light flashed normally.

1. Initial DMX Address example:



* When DIP switch(1-9)="OFF" position, the DMX initial address is 1.

2. Testing mode:

* When most of the several DIP switches(1-9) =ON, subjected to the highest switch Value, when all the DIP switches=OFF, the color is black.

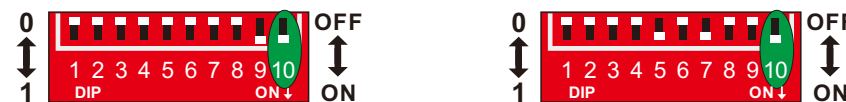
DIP1	DIP2	DIP3	DIP4	DIP5	DIP6	DIP7	DIP8	DIP9	DIP10
Red	Green	Blue	Yellow	Purple	Cyan	OFF	OFF	OFF	ON



Testing function: static red color effect Testing function: static green color effect Testing function: static color purple effect

* 1-6 DIP switch=OFF or =ON, it shows static white color.

DIP1	DIP2	DIP3	DIP4	DIP5	DIP6	DIP7	DIP8	DIP9	DIP10
Speed 1	Speed 2	Speed 3	Speed 4	Speed 5	Speed 6	flash	Strobe(ON)	Smooth(ON)	ON



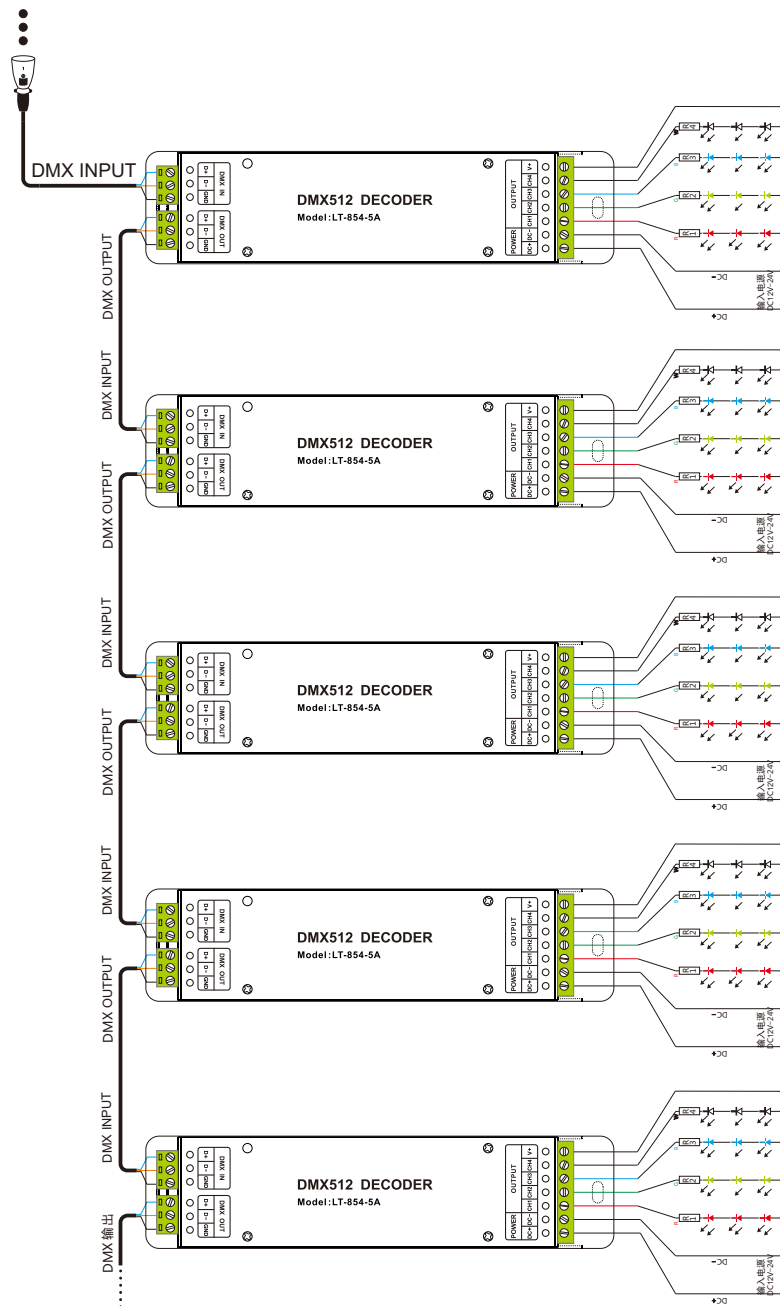
Testing function: 7 Colors Smooth, the speed is 0

Testing function: White Strobe, 5 speed level

- * DIP1-6 is to realize 7 speed levels. 6 is the fastest levels while dip switch 1-6=OFF: the speed is 0
- * Dip switch 8/9=ON, it's 7 Colors Skipping/7 Colors Smooth(Channel 4 is Fade out and Fade in) changing mode, 7 speed levels for option.
- * DIP7=ON, it's White Strobe, 4 channels are all strobe mode. DIP1-5 are the 5 speed levels, the fastest and the slowest levels are not strobe.(When DIP1-6=OFF/ON, it's the static white mode)

2

4. Conjunction Diagram:



3

5. Attention:

- 1) The product shall be installed and serviced by a qualified person.
- 2) This product is non-waterproof. Please avoid the sun and rain. When installed outdoors please ensure it is mounted in a water proof enclosure.
- 3) Good heat dissipation will prolong the working life of the controller. Please ensure good ventilation.
- 4) Please check if the output voltage of any LED power supplies used comply with the working voltage of the product.
- 5) Please ensure that adequate sized cable is used from the controller to the LED lights to carry the current. Please also ensure that the cable is secured tightly in the connector.
- 6) Ensure all wire connections and polarities are correct before applying power to avoid any damages to the LED lights.
- 7) If a fault occurs please return the product to your supplier. Do not attempt to fix this product by yourself.

6. Warranty Agreement:

- 1) We provide lifelong technical assistance with this product:
 - A 5-year warranty is given from the date of purchase. The warranty is for free repair or replacement and covers manufacturing faults only.
 - For faults beyond the 5-year warranty we reserve the right to charge for time and parts.
- 2) Warranty exclusions below:
 - Any man-made damages caused from improper operation, or connecting to excess voltage and overloading.
 - The product appears to have excessive physical damage.
 - Damage due to natural disasters and force majeure.
 - Warranty label, fragile label and unique barcode label have been damaged.
 - The product has been replaced by a brand new product.
- 3) Repair or replacement as provided under this warranty is the exclusive remedy to the customer. LTECH shall not be liable for any incidental or consequential damages for breach of any stipulation in this warranty.
- 4) Any amendment or adjustment to this warranty must be approved in writing by LTECH only.
 - ★ This manual only applies to this model. LTECH reserves the right to make changes without prior notice.

4

Update Time:2014.1.1